



GLOBAL FIBRE GLASS CO.

PP / FRP Manufacturers & Suppliers



*Advanced Technology &
Best Quality Product Manufacturers*

www.globalfibre.com



GLOBAL FIBRE GLASS CO.

PP / FRP Manufacturers & Suppliers

ABOUT US

Global Fibre glass Co was established in Hyderabad, Telangana in the year 2007 as a pioneer in Filament Wound Technology for PP/FRP and polypropylene lined PP/FRP high quality anti-corrosion industrial product manufacturers. We enjoy leading status and reputation for design, manufacturing, fabrication, supply, erection, testing and mechanical commissioning of quality PP/FRP industrial products and polypropylene e.g., UPVC, CPVC, HDPE/FRP, PP/FRP piping systems, tanks, vessels, scrubbers, chimneys and equipment,

that are tailor-made for clients' specific need to ensure complete corrosion resistant composite solution.

Global Fibre Glass Co. has wide experience of 10 years and have developed substantial expertise in design and development of chemical process tanks, vessels, equipment, ducting system and piping system. We offer innovative, effective and efficient engineering solutions for wide variety of applications. Our vast experience is ready to assist engineering consultants and clients at every stage of the project evolution up to installation, testing, mechanical completion and commissioning.

Our decades of vital experience had enabled our engineering and field construction team to handle all your corrosion resistance applications and selection of material for construction to suit specific process conditions from concept and design through production and installation.

“Our greatest asset is the customer!

Treat each customer as if they are the only one!”

→ www.globalfibre.com ←

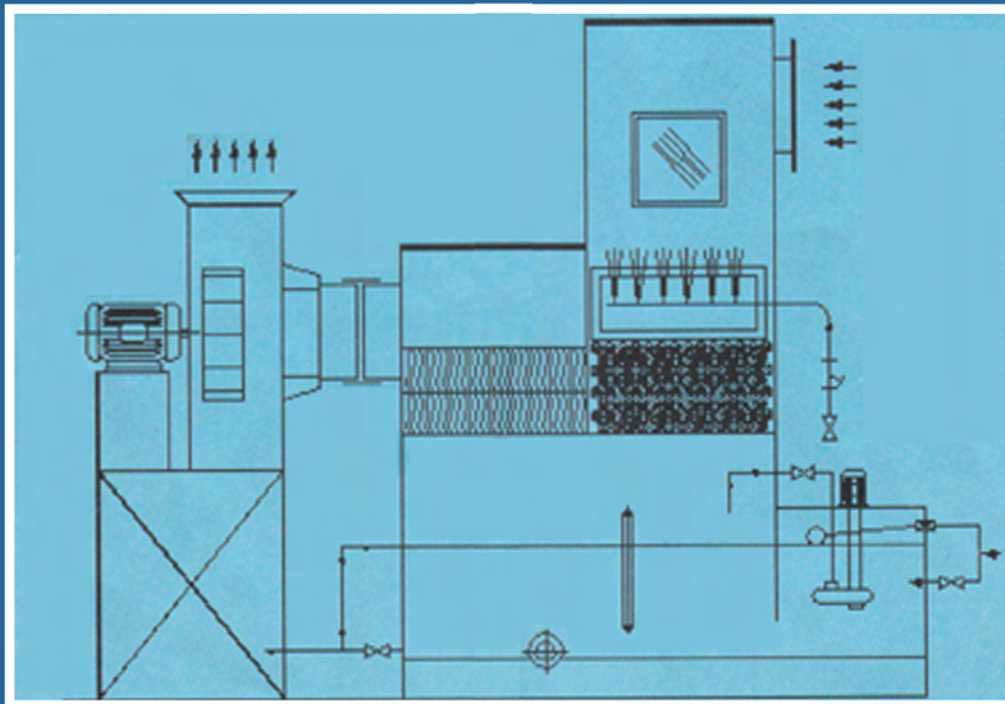
PP / FRP / SCRUBBING SYSTEM



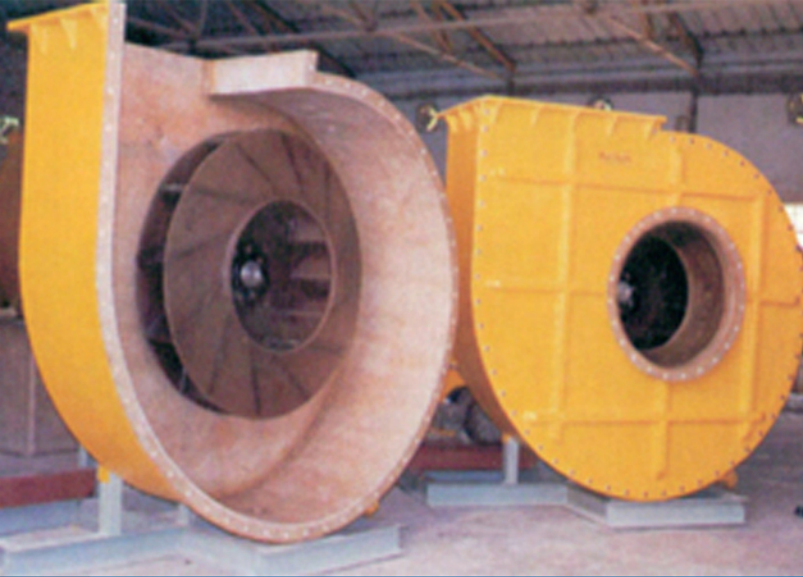
It is the main item of air pollution control system. custom designed with specific parameters of suction, packing type, depth, recirculation rate, spray pollution, etc. It is always high efficiency, low maintenance to remove water soluble contaminants by means of gas absorption or mechanical impingement. Supplied generally in vertical, but also available in horizontal designs to suit space limitation or layout preference.

Add on Features at Customers Option :-

- * Solid Ant corrosive constructions
- * Doors for Packing fill & removal
- * Removable spray headers
- * Inspection doors in critical areas
- * Non-metallic Recirculation pump.
- * High Efficiency PP. packing media.
- * Removable PP mist eliminator
- * Chemical Addition Systems
- * Hi-build epoxy painted steel frame.

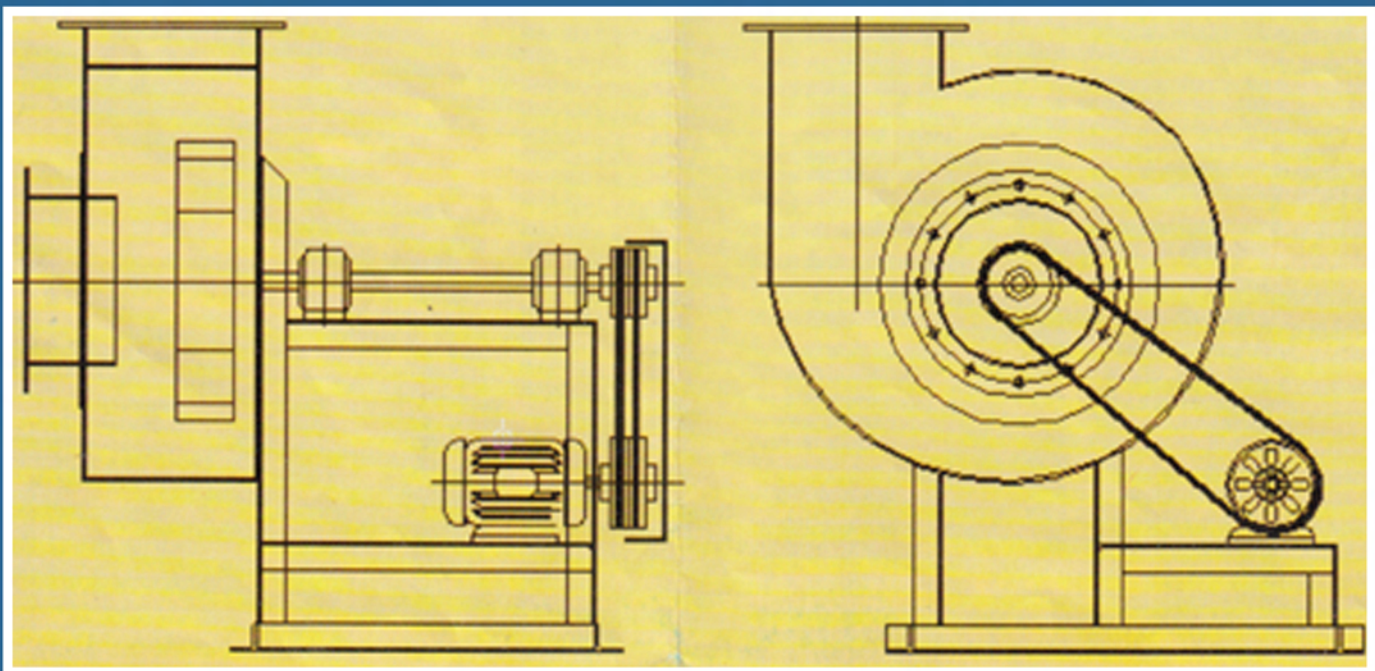


The working is by passing the containment air through single or double spray chamber configured for maximum coverage of the cross section. Spray nozzles, cones & headers are of highest quality. The random packing media provides maximum contact area and is kept saturated by overhead spray chamber, followed by PP mesh pads for mist elimination. The system also comprises of collection tank, recirculation pump preferably vertical or sealless, Fresh water flow meter (optional), wye strainer, inspection doors, steel bases, handwaves & gaskets, so that cleaned, harmless air leaves through the outlet.



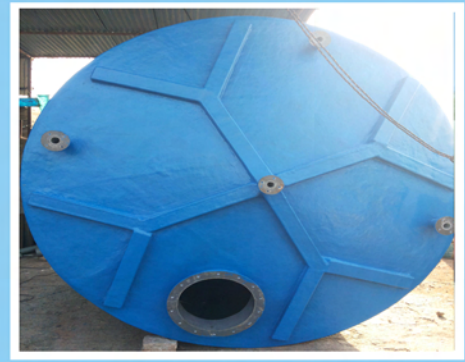
PP / FRP CENTRIFUGAL EXHAUST BLOWERS

These are designed and manufactured to be completely corrosion resistant for highly efficient, having smooth feature and quiet operation, with highest quality standards. It is rugged and heavy duty, having main housing body, statically and dynamically balanced fan wheel and fan frame. It has heavy duty bearings, compact TEFC motor in single or Three phase operation, constant speed by direct or V-belt wheel drives. It is completely coated with steel frame, shaft guard, flanged outlet, clean-out doors and drain. It ranges from 1 to 30 HP and 3000 to 50000 CFM, in more than 15 models.



PP / FRP TANKS

Industrial Plastic Containers and Tanks are of thermoplastic namely PVC / PP / PVDF / ECTFE / FEP / FRP and due to light weight and good chemical resistance. it is a boon to different industries: particularly for Electroplating Industries. for storing, plating, mixing, handling and transportation. They have replaced conventional MS / SS / Lead tanks. These tanks are either moulded or fabricated with reinforcement range from 50 lits to 2000 lits volume or higher capacity as required. Externally FRP Bonded in Isophthalic, Bisphenol & Vinylester resins or Epoxy resin is optional.



ANTI-CORROSIVE LININGS

A number of Anti corrosive internal linings can be arranged on Metallic and non Metallic Tanks and Equipment. These liners are Rigid or Flexible PVC, PPGL, PVDF, ECTFE, FEP, CPVC, FRP (in 3 different resins) and Epoxy for W number of Corrosion Resistance applications.



SPECIALISED FABRICATIONS

Some of the several Chemical Processing Plants Equipments and Accessories in PP/FRP, PVC/FRP, CPVC/FRP, PVDF/FRP, HOPE, FRP, FRB. FRVE material of construction are • Air & Water Pollution Control Equipment

- Scrubber's : Tower Packed Bed; Sieve. Tray or Venturi types, Mist Eliminators & Tower Packings, Centrifugal Exhaust Blower, Hood, Ductings, Cooling Towers, Pumps, Spargers, Trays, Blocks & Sheets, Pipes & Fittings so on and so forth



PP / FRP REACTORS



We are engaged in providing HDPE Chemical Reactor that are reaction vessels made using the spiral technology. Chemical Reactor Vessels provide complete reaction vessel assembly which includes M.S. Structure required holding the vessel, agitator and gear box assembly. Spiral HDPE PP/FRP Chemical Reactor Vessels are also fabricated for special purpose.

We manufacture a wide range of precision engineered FRP reactors that are manufactured by using quality thermoplastics such as PP, PVC, PVDF, ECTFE, PFA, and PTFE along with FRP. These provide good insulation and are anticorrosive as well. Our range of FRP reactors is widely used in various sectors such as pharmaceuticals, chemical engineering, pulp and paper industry, fertilizer, metal refining. Further, these are used for replacing exotic metals, alloys, glass and rubber lined reactors. includes M.S. Structure required to hold the vessel, agitator and gear box assembly. HDPE FRP & PP FRP Reaction Vessels are also fabricated for special purpose.

PP / FRP Vacuum Receivers



Enriched with vast industrial experience we offer our clients wide array of Vacuums Receivers that are acclaimed for optimum quality and seamless performance. We offer them in different grades and specifications and can be customized as per the preferences. We test the entire product range in well-defined parameters thereby ensuring its flawlessness.

EXHAUST HOODS



All types of fume exhaust hoods are in our range of manufacture. some of the configuration are shown below. These though of standard design. are built to moot individual requirement, made from PVC/PP/FRP coated for sturdiness. Metallic hoods are also made with suitable AlkalVAcid resistant coats. Each hood is provided with good orifice opening for easy flow of air and velocity. Internal spitting vanes are provided to distribute suction and equalize flow through the hood.

REVERSE OSMOSIS

Reverse osmosis (RO) is the most efficient method of removing 90% to 99% of all contaminants. The pore structure of RO membranes is much tighter than UF membranes. RO membranes are capable of rejecting practically all particles, bacteria and organics >300 Daltons molecular weight. Natural osmosis occurs when solutions with two different concentrations are separated by a semipermeable membrane. Osmotic pressure drives water through the membrane; the water dilutes the more concentrated solution; and the end result is equilibrium. Global Fibre Glass Co. the plants based on the raw water parameters and the standard models available from 200Lph onwards. As per the customer requirement, application and capacity, our systems exceed the standards with outstanding performance and hence we are the most preferred vendor in this filed. We are specialized in fully automated RO plants.



HDPE PIPES MANUFACTURERS

High Density Polyethylene is a thermoplastic Polyolefin material generated from the polymerization of ethylene. It is manufactured in petrochemical plants with petroleum as the raw material. Depending of the polymerization process, different types of polyethylene materials are obtained. HDPE, with a density of 0.94 0.96 g/cm³ is manufactured at low pressure. Several modified copolymers have been developed in recent years. A recently developed grade, often termed as PE 100 with a density of 0.95 0.965 g/cm³, has significantly higher strength properties than normal HDPE. It is especially designed for the production of larger diameter & thick walled pipe, but can be processed for the whole range of diameters. It also shows excellent resistance to rapid crack propagation and slow crack growth.



Chemical Processing Equipment in



FRP/PVC/HDPE

Receivers Storage Tanks

Vacuum Receiver

Fume Extraction System

Centrifugal Blowers

Scrubbing Systems

Exhaust Hoods

HDPE Tanks

Anti-Corrosive lining

Specialised Fabrications

Pre-mist Eliminator

Fume Scrubber

FRP Column

Filament Wound Pipes

Spargers

Tower Packings

Packed Bed Sieve

Tray or Venturi Pipes



GLOBAL FIBRE GLASS CO.

Manufacturers & Suppliers

Office: H No- 7-4-79, Near Indian Oil Corp

FCI Road, Cherlapally, Hyderabad 500051. Telangana State

Mob No : +91-9948958786 +91- 9666041602

Authorised Dealer



For any related queries / kindly send email to :

globalfibreap@gmail.com, Website: www.globalfibre.com